

electriQ

USER AND INSTALLATION MANUAL



EQOVENM1

Thank you for choosing electriQ

Please read the manual before using this oven
and keep it safe for future reference.

Visit our page www.electriQ.co.uk for our entire product range

Service Helpline: 0333 043 6692

CONTENTS

SAFETY INFORMATION	3
COMPONENTS	5
INSTALLATION	6
OPERATION	7
CLEANING & CARE	8
REMOVAL OF THE OVEN DOOR	9
REMOVAL OF THE INNER GLASS FROM THE DOOR	10
TECHNICAL SPECIFICATION	11
TROUBLESHOOTING	11
SUPPORT	12

SAFETY INSTRUCTIONS

IMPORTANT SAFETY INFORMATION!

Read these instructions carefully, to ensure that the unit is installed correctly, and the oven can be used safely. Retain the manual for future use or for subsequent owners.

- This appliance is only intended to be fully fitted in a kitchen. Observe the installation instructions.
- Check the appliance for damage after unpacking it. Do not connect the appliance if it has been damaged in transit.
- Damage caused by incorrect connection or installation is not covered under the warranty.
- This appliance is intended for indoor domestic use only. The appliance must only be used for the preparation of food.
- The appliance should not be left unattended during operation.
- This appliance may be used by children over the age of 8 years old and by persons with reduced physical, sensory or mental capabilities or by persons with a lack of experience or knowledge if they are supervised or are instructed by a person responsible for their safety how to use the appliance safely and have understood the associated hazards.
- Children must not play with, on, or around the appliance. Children must not clean the appliance or carry out general maintenance unless they are at least 8 years old and are under adult supervision.
- Keep children below the age of 8 years old at a safe distance from the appliance and power cable.
- Always slide accessories into the cooking compartment correctly.
- The mains voltage must match the information on the rating label of the product.
- Never place anything on the open door as this can damage the glass.

RISK OF FIRE!

- Never store combustible items in the cooking compartment.
- Never open the appliance door if there is smoke inside. Switch off the appliance and unplug it from the mains or switch off the circuit breaker in the fuse box.

RISK OF BURNS!

- The appliance will become very hot during use. Always allow the appliance to cool down before touching the interior surfaces of the cooking compartment or the heating elements.
- While the oven is warm, children should be kept at a safe distance.
- Accessories and ovenware will become very hot. Always use oven gloves to remove accessories or ovenware from the cooking compartment.

RISK OF SCALDING!

- When the appliance door is opened, hot steam may escape. Open the door with care, and ensure children are kept at a safe distance.
- Water in the hot cooking compartment may create steam. Never pour water into the hot cooking compartment.

RISK OF INJURY!

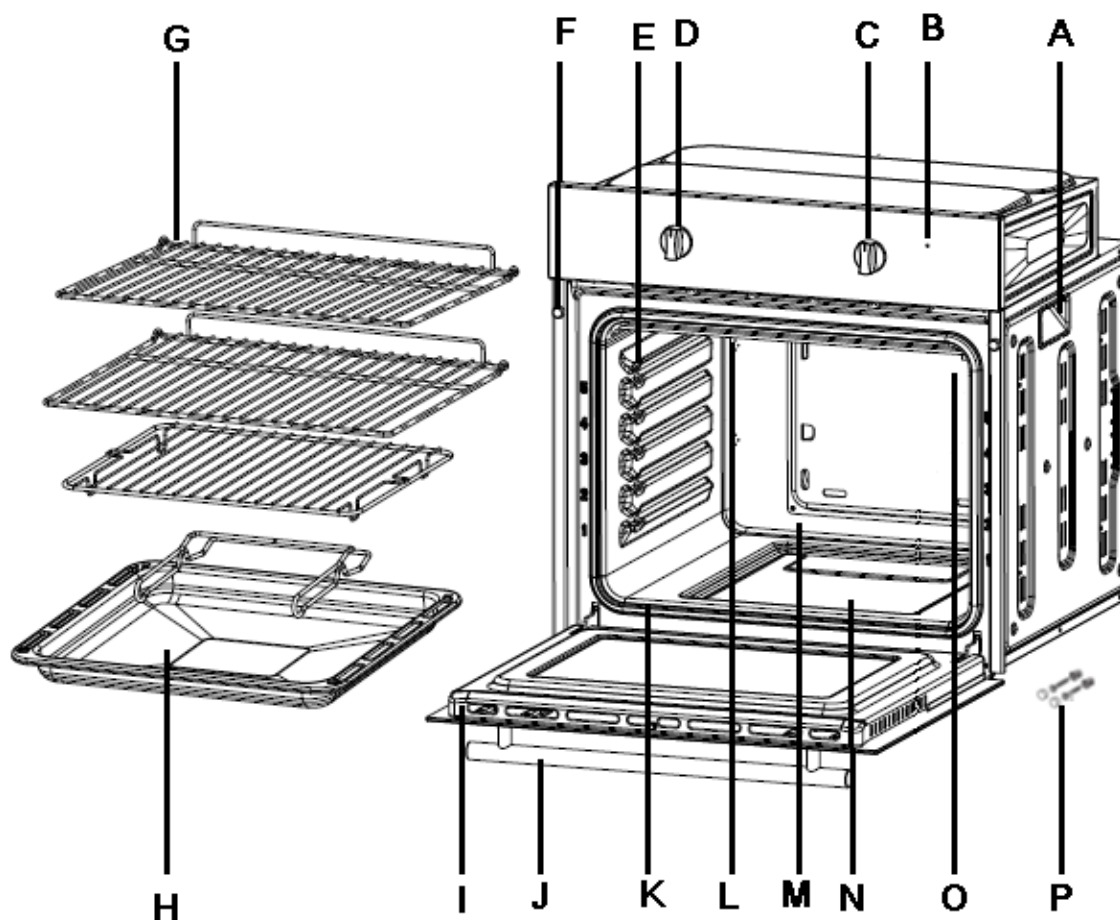
- Scratched glass in the appliance door may develop into a crack. Do not use a glass scraper, sharp or abrasive cleaning aids or detergents.
- If there are signs of damage to the glass, do not use the oven, as heating may cause the door to crack.

RISK OF ELECTRIC SHOCK!

- Incorrect repairs are dangerous. Repairs may only be carried out by one of our trained after-sales engineers. If the appliance is faulty, unplug from the mains or switch off at the circuit breaker in the fuse box.
- The cable insulation on electrical appliances may melt when touching hot parts of the appliance. Ensure the power cable does not come into contact with hot parts of the appliance.
- Do not use high-pressure cleaners or steam cleaners, which can result in an electric shock.
- When replacing the cooking compartment bulb, the bulb socket contacts are live. Before replacing the bulb, unplug the appliance from the mains or switch off at the circuit breaker in the fuse box.
- A defective appliance may cause electric shock. Never switch on a defective appliance. Unplug the appliance from the mains or switch off at the circuit breaker in the fuse box. Contact our Service Helpline.

Service Helpline: 0333 043 6692

COMPONENTS



A	Transport and assembly handles	I	Oven door
B	Status indicator light	J	Oven door handle
C	Temperature knob	K	Front frame with seal
D	Mode knob	L	Upper heat / grill
E	Baking tray slot	M	Cavity
F	Mounting holes	N	Cavity bottom with lower heat
G	Wire shelves	O	Oven light (not shown)
H	Grill pan & handle	P	Screws with spacers and cap

BEFORE FIRST USE

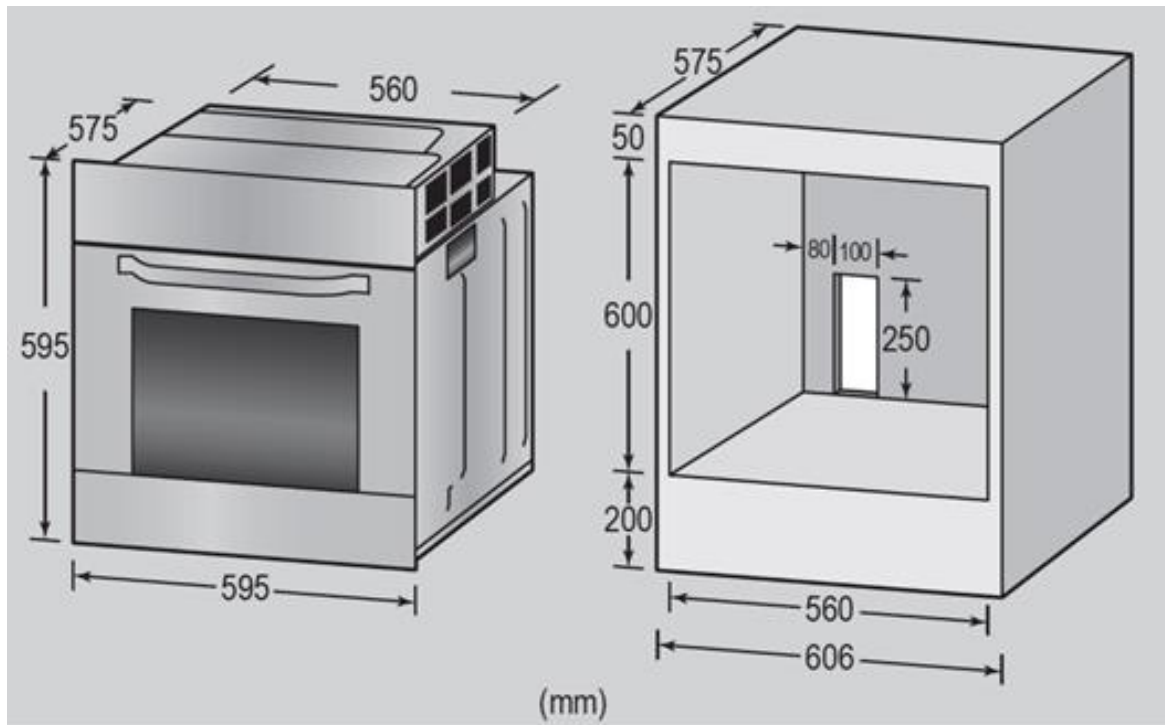
Remove the product and accessories from the original packaging carefully.

- Check the package contents to ensure all parts have been received in undamaged condition. If there are any missing parts or damage, contact your retailer immediately.
- After unpacking, clean the product. See cleaning and care section.
- To remove any manufacturing residues and odours in the oven before first use, operate for 15 minutes at 200°C.

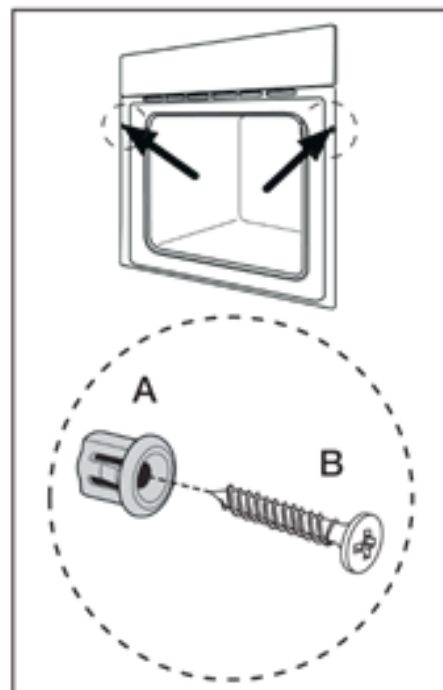
INSTALLATION

Note: The oven is equipped with a power cord and plug. Make sure before installation that the wall outlet is within reach of the power cord. If not a new socket should be installed by a suitably qualified electrician.

Important: The kitchen unit in which the oven is to be situated must be made of heat resistant material. Ensure that any panels close to the oven can withstand temperatures of at least 120°C. If plastics or glues that form the cabinet cannot withstand such temperatures, they will melt and deform the unit.










- Check the dimensions of the appliance and the corresponding recess are compatible.
- Never lift the appliance using the door handle as this will cause the glass to break.
- Place the product in front of the opening and put the plug and power cord through the hole in the back of the kitchen cabinet.
- Connect the plug to a suitable earthed wall outlet.
- Put the product into the installation opening. Insert the screws with spacers into the holes in the front frame and screw the oven into the cabinet. Then connect the caps on the screw heads.



OPERATION

Use the left hand dial to select the function and the right hand dial to set the required temperature.

Mode	Function	Temperature
	Oven light ON	--
	Upper and lower heating element: Suitable for baking	50-250°C
	Lower heating element: Suitable for low-temperature cooking of casseroles and for pastries or pizzas where a crispy base or crust is desired. Note: Food is only heated from below	50-250°C
	Upper heat: Suitable for browning and cooking from above only. Note: Only the upper heating element is on.	50-250°C
	Grill heating (single): Suitable for toasting, or grilling small pieces of flat meat, e.g. steaks, burgers and chops etc	50-250°C
	Grill heating (double): As above, but with larger surface area and more intense heat.	50-250°C
	Eco Mode: For reduced energy cooking. Cooks the contents in a gentle manner, heating from the top and bottom.	50-250°C

- When the oven is heating up, the status indicator light will be on. Once the set temperature is reached, the light will turn off.
Note: To maintain the set temperature, the heating elements and thus the status light will switch on and off during operation.
- To turn the appliance off, set the temperature and mode selection dials to 0.

CLEANING AND CARE

WARNING! When cleaning, never use solvents or abrasive materials, hard brushes, metallic or sharp objects. Solvents are harmful to human health and can attack plastic parts, while abrasive cleaning mechanisms and tools may scratch the surface(s).

Do not use steam cleaner for cleaning.

WARNING! Disconnect the power from the oven and let it cool down completely before cleaning.

Clean the cavity with a damp cloth. Wipe the oven thoroughly so that no residue remains. Make sure that excessive water is not used in the interior.

Clean the wire racks and baking tray with warm water and mild detergent. Dry all parts thoroughly before inserting back into the oven.

Clean the exterior surfaces of the product with a damp cloth and dry them well. Make sure that no water enters the internal parts of the product (e.g. by the controls).

REPLACING THE BULB

WARNING! Ensure that the appliance is switched off at the mains before replacing the lamp to avoid the possibility of electric shock.

CAUTION! Ensure that the product and the bulb is completely cool before replacing the bulb.

Remove the lamp cover by twisting anticlockwise and remove the old bulb.

Insert a new 25W G9 type bulb before replacing the lamp cover.

ENERGY SAVING

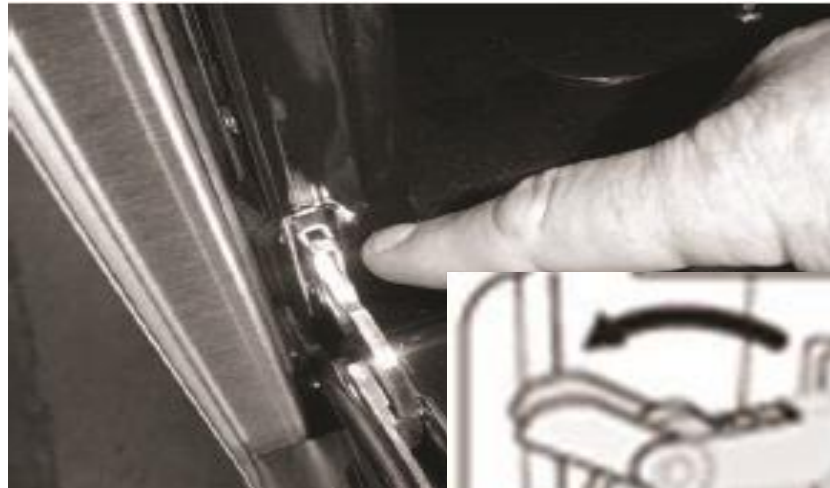
- If possible, use dark coloured cookware as this absorbs heat well.
- Only preheat the oven if stated in the recipe.
- Avoid opening the oven door too many times during preparation.
- When cooking for a long time, turn the oven off 10 minutes earlier and use the residual heat to complete cooking.

ECO MODE RECIPES

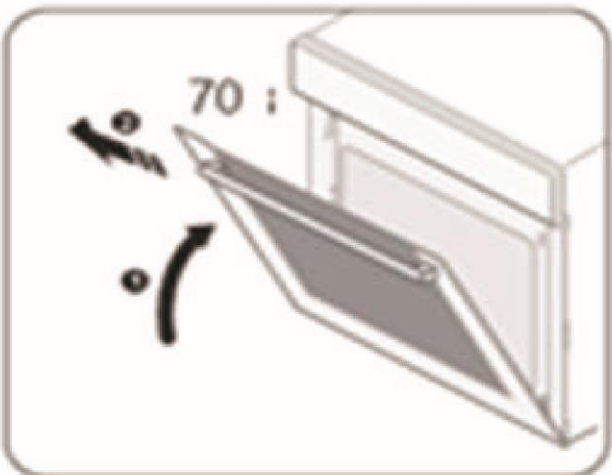
RECIPE	TEMPERATURE	LEVEL	TIME (MIN)	PRE-HEAT
Potato Cheese Gratin	180	1	90-100	NO
Cheese Cake	160	1	100-150	NO
Meatloaf	190	1	110-130	NO

REMOVAL OF THE OVEN DOOR

1. Open the door fully and pull back the buckle on the hinge.



2. Partially close the door as shown below, lift the door to unhook the hinge from the oven, before lifting the door away from the oven.



WARNINGS:

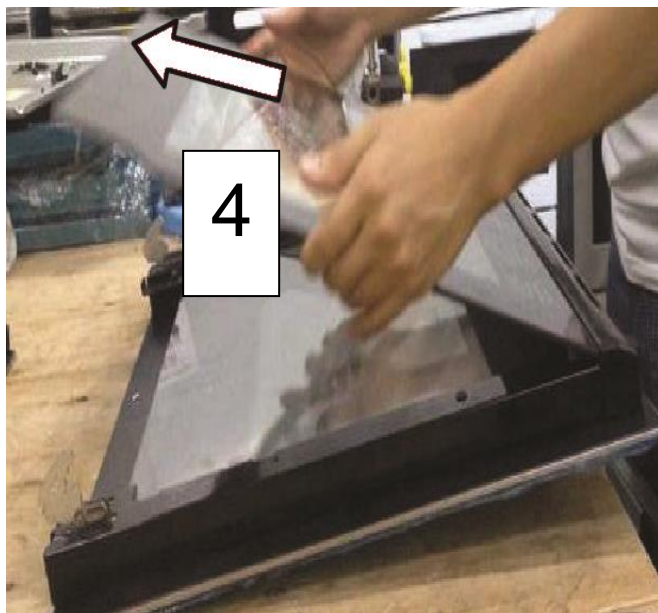
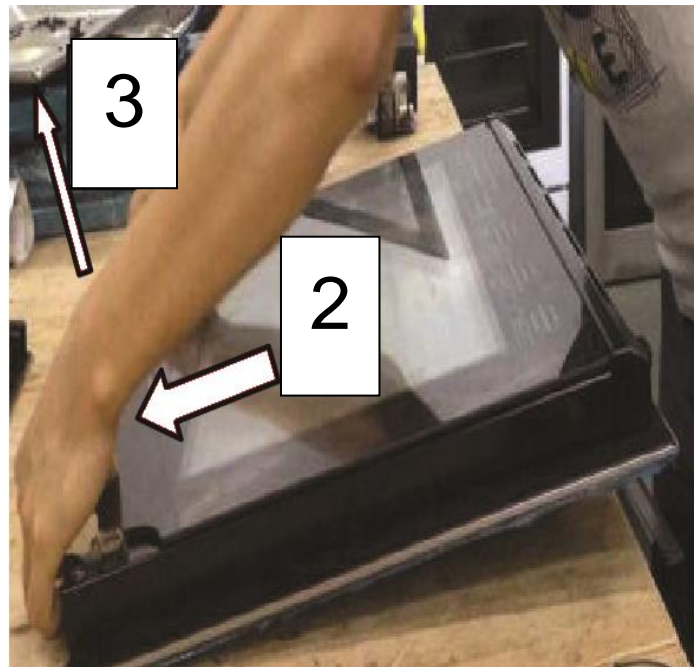
- The door should only be removed from the appliance when essential as damage is more likely both during removal and while the door is not attached.
- Care should be taken when removing the door. Do not put too much force on the door during removal as this may result in damage to the door or the hinge.
- If the hinge will not separate from the oven easily, try changing the size of the opening and reattempt.

REMOVAL OF THE INNER GLASS FROM THE DOOR

1. Remove the door from the oven as shown on page 1, ensuring it is carefully placed flat on a soft clean surface such as a towel to prevent scratching or damage.

2. Slide the inner glass towards the base of the door.

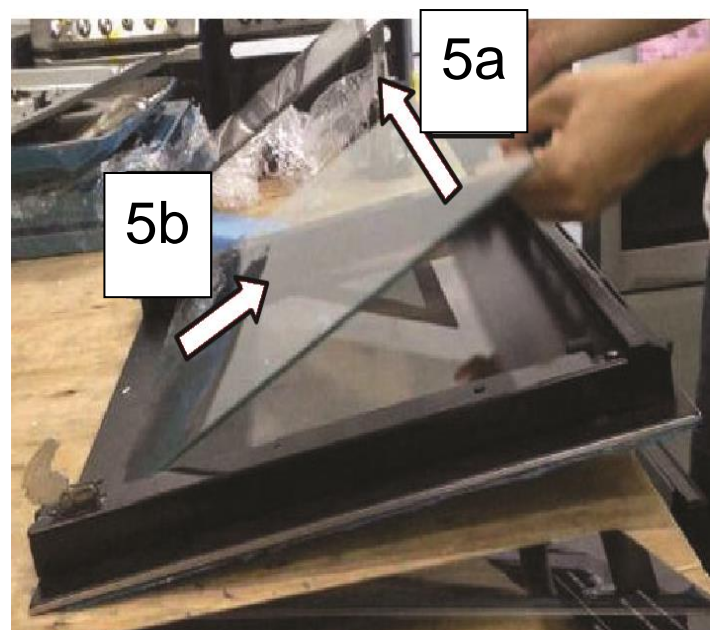
3. Lift the base of the inner glass upwards, it will pivot at the top of the door.



4. Slide the inner glass out of the top of the door, and place the door on a soft clean surface such as a towel to prevent scratching or damage.

5. If your door has a central glass, this can be removed in the same way as the inner glass, by lifting from the top and sliding out from the base of the door.

6. The door can be refitted by following the reverse of the steps above.



SPECIFICATION

electricu		
	EQOVENM1	
	VALUE	MEASUREMENT
Rated voltage	220-240V, 50/60Hz	
Rated power	Max. 2700	W
Protection class	I	
Max. temperature	250	°C
Dimensions	595 x 575 x 595	mm
Cavity bulb type	Halogen lamp, G9 25W	
Net weight	31.1	Kg
Energy consumption		
Energy Efficiency Index (EEI _{cavity})	85.4	
Energy Efficiency Class	A	
Energy consumption per cycle in conventional mode (ECO MODE)	0.79	kWh/cycle
Energy consumption in fan-forced convection mode	N/A	kWh/cycle
Number of cavities	1	
Heat Source	Electricity	
Cavity volume	70	L

TROUBLESHOOTING

SYMPTOM	CAUSE / SOURCE	TROUBLESHOOTING CHECKS	SOLUTION
Oven not heating	Open circuit on heating element	Check elements at harness connection point.	Replace elements or replace harness if needed.
	Door not shut tightly.	Check for obstructions, damage to door seal and close door tightly.	Check for obstructions, and close door tightly.
Lamp not working	Light bulb has burned out.	Replace light bulb.	Replace light bulb.
Outdoor Glass Broken.	Damaged after shipping.	Check packaging condition	Replace door glass.
Inner door Glass Broken.	Damaged after shipping.	Question for incident details.	Replace door glass
	Cold item placed on hot glass	Question for incident details.	Replace door glass
	Item dropped on window pack	Question for incident details.	Replace door glass
Food burnt or oven bakes uneven.	Food placed in oven during Pre-heat	Check the food is not in oven before Preheat	Do not put food into oven during pre-heat
	Food may be too close to the heating element.	Check position of rack or baking tray	Make sure the food is placed correctly in the oven
	Temperature setting too high for recipe or quantity of food	Check temperature setting. Verify temperature setting against recipe.	Use correct temperature setting

DISPOSAL



Disposal: Do not dispose this product as unsorted waste. Collection of such waste must be handled separately as special treatment is necessary.

Recycling facilities are now available for all customers at which you can deposit your old electrical products. Customers will be able to take any old electrical equipment to participating sites run by their local councils. Please remember that this equipment will be further handled during the recycling process, so please be considerate when depositing your equipment. Please contact the local council for details of your local household waste recycling centres.

electriQ UK SUPPORT

www.electriQ.co.uk/support

Please, for your own convenience, check the troubleshooting guide before calling the service line.

If the unit still fails to operate call: 0333 043 6692, or complete the online form.

Office hours: 9AM - 5PM Monday to Friday

www.electriQ.co.uk
Unit J6, Lowfields Business Park
Lowfields Way, Elland
West Yorkshire, HX5 9DA